



Oil Filtering Machine – 110 lb (57 L) Capacity

ITEM: 49104

MODEL: OF-CN-0057

Keep your Fryer clean and prevent from clogging

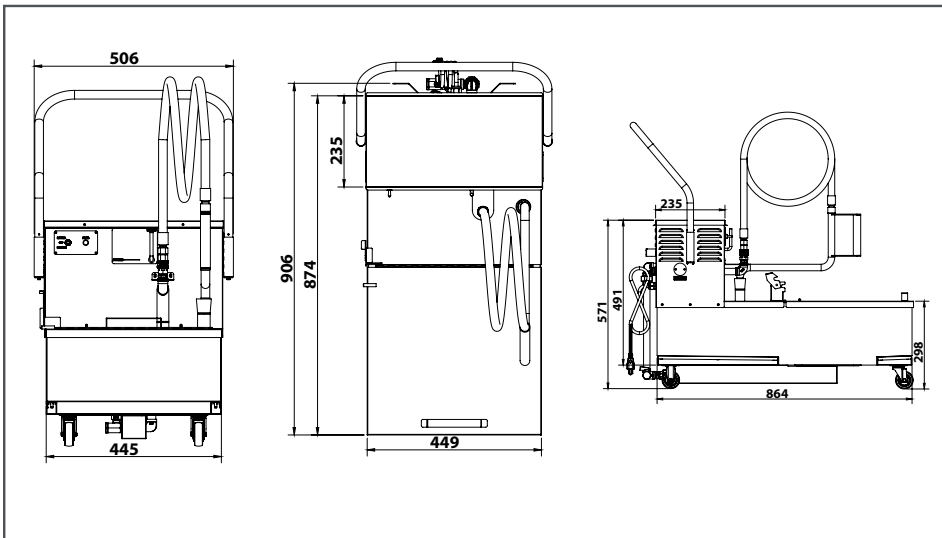
Omcan's Oil Filtering Machine is designed to filter oil after use. It removes and filters any greasy acids and other elements that can affect your fryer. Ideal for fast food restaurants, buffets, and other busy food establishments.

FEATURES:

- Stainless steel structure
- Reverse pump for easy suction of oil
- Pre-filtering 300-micron screen basket
- Second deeper 10-micron filtration
- Quick disconnect filtering hose
- 3.5 GPM pump



TECHNICAL DRAWING (measurements are in millimeter)



TECHNICAL SPECIFICATION

Item	49104
Model	OF-CN-0057
Capacity	110 lb. (50 kg.) / 57 L
Filtering Capacity	3.5 GPM
Power	1/3 hp
Electrical	120V / 60Hz
Net Weight	119 lb. (54 kg.)
Net Dimensions (WDH)	20" x 35.7" x 22.5" (506 x 906 x 571 mm)
Gross Weight	132 lb. (60 kg.)
Gross Dimensions (WDH)	22" x 40" x 25" (559 x 1016 x 635 mm)

Telephone: 1-800-465-0234

Fax: (905) 607-0234

Email: sales@omcan.com

Website: www.omcan.com



Authorized Dealer

